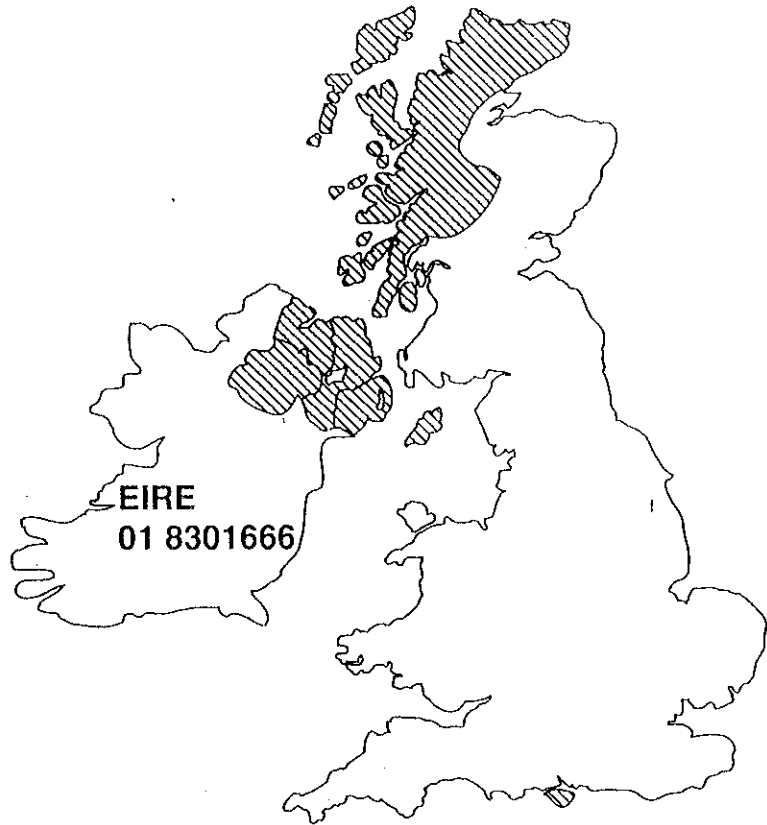


HOOVER SERVICE

FOR YOUR LOCAL ENGINEER PLEASE CALL OUR NATIONAL NUMBER

0990-400600



99.09 - 91500419 - Printed in Italy - Imprimé en Italie



Areas covered by HOOVER SERVICE DEALERS
Also Channel Islands, Scilly Isles, Orkney, Shetlands
See local telephone directory

Hoover policy is one of continuous development and for this reason
we reserve the right to change specifications without prior notice



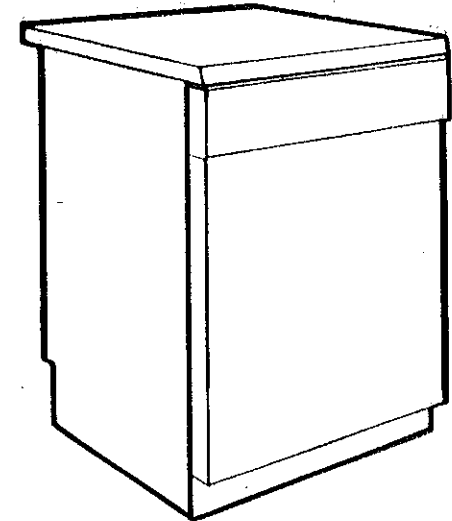
HOOVER LIMITED DRAGONPARC ABERCANAID MERTHYR TYDFIL MID-GLAMORGAN CF48 1PQ

HOOVER®

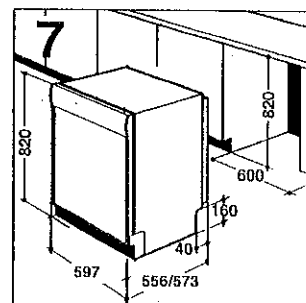
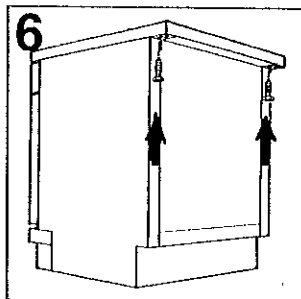
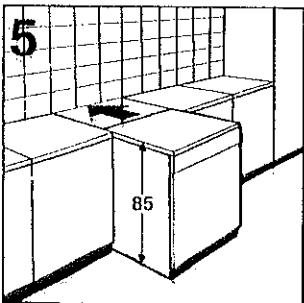
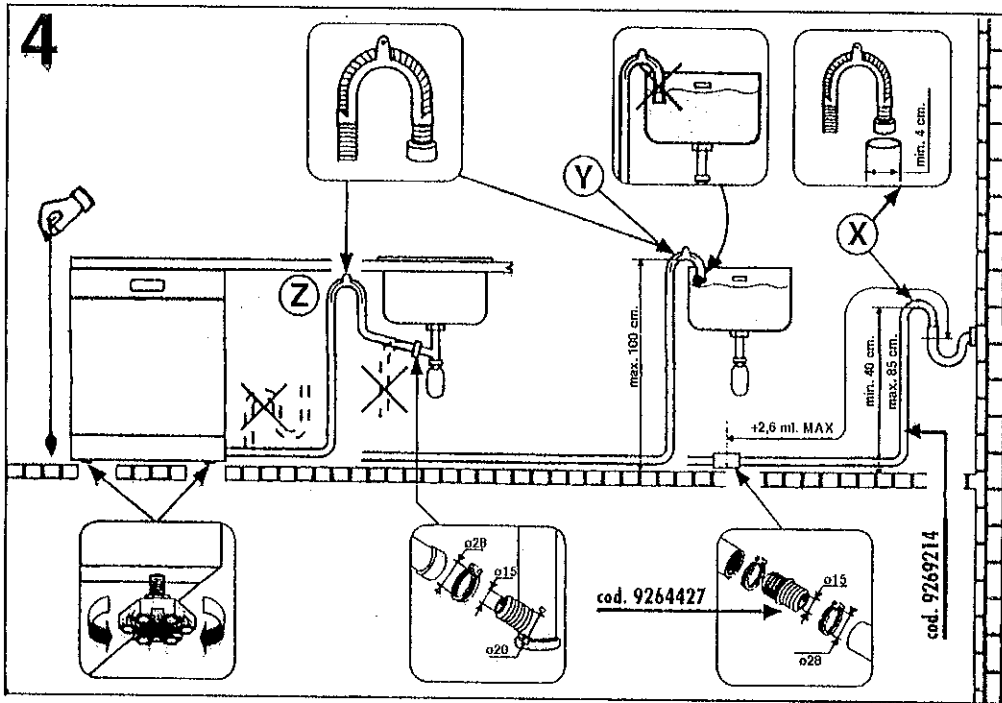
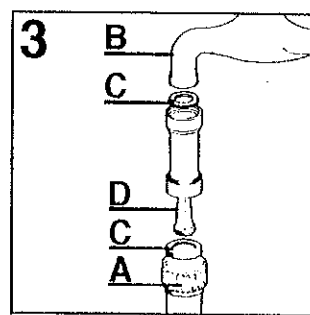
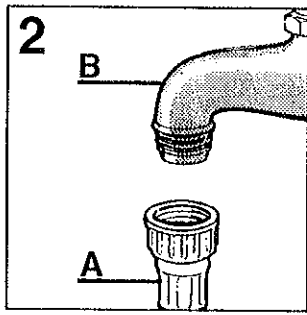
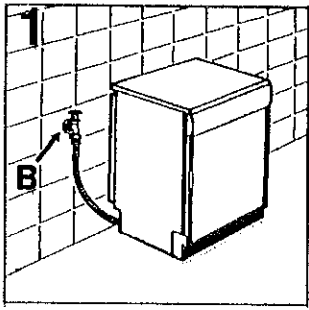


Vichi M.
Crystaljet

D 821



English



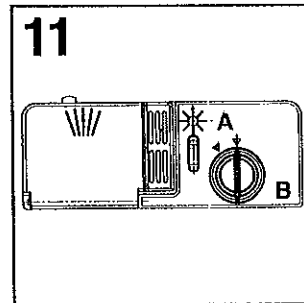
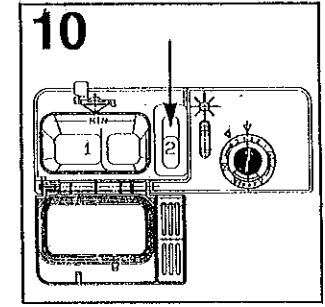
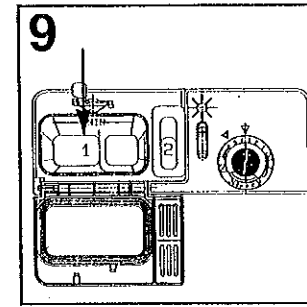
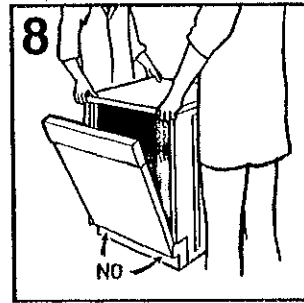
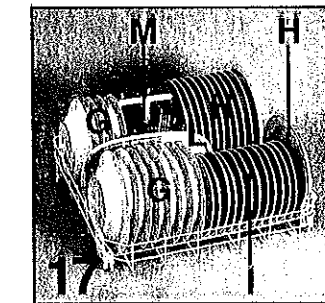
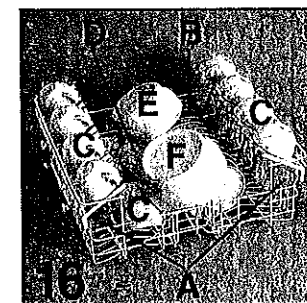
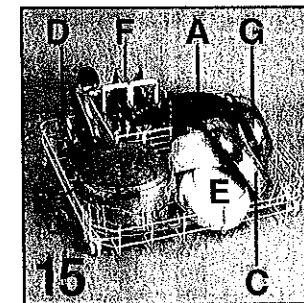
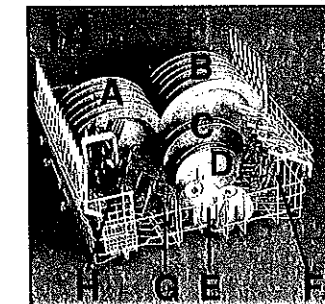
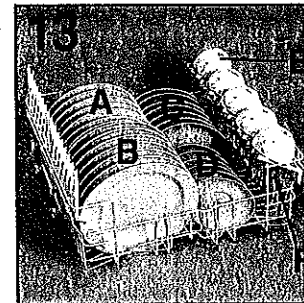
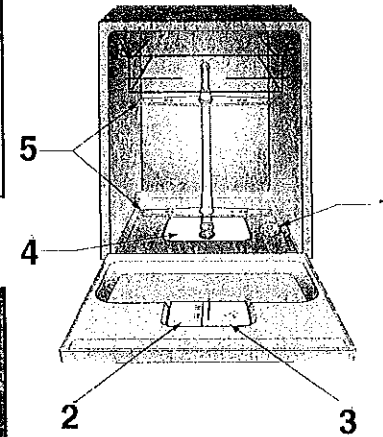
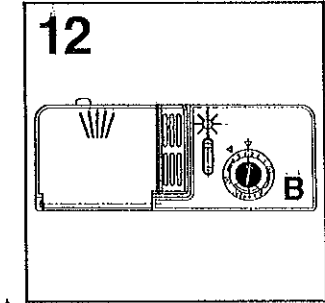
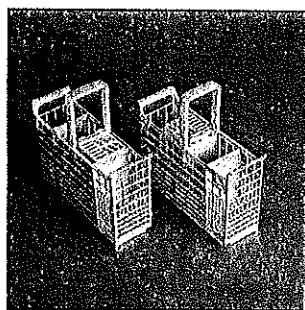
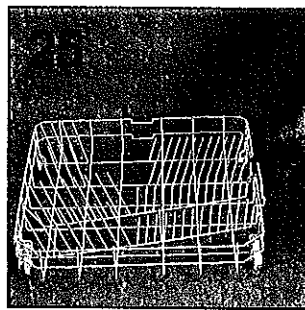
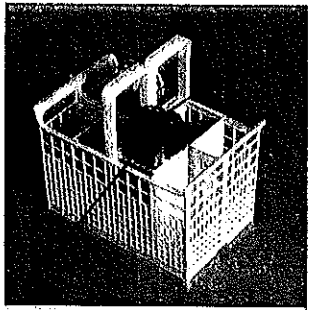
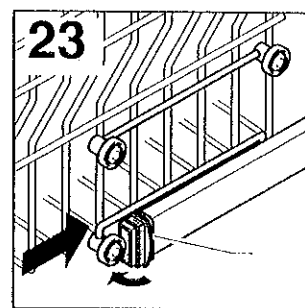
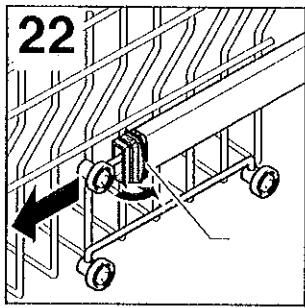
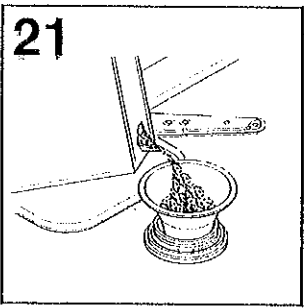
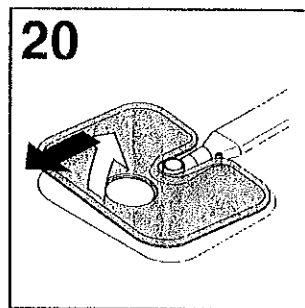
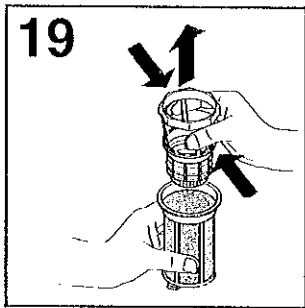
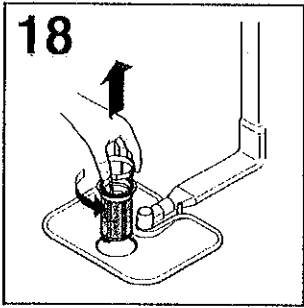


Fig. A





Guarantee



Genuine HOOVER spares

Always replace parts with genuine HOOVER spares. These are available from your local Hoover dealer or direct from Hoover. When ordering parts always quote your model number.

HOOVER Service

Should you require service at any time please call your local HOOVER Service Office listed on the back page of this book.

Hoover have a computerised nationwide service network of over 500 engineers who will respond quickly to your call and guarantee your repair for 12 months.

Hoovercare

To maintain your HOOVER product in peak condition you may also wish to take out a Hoovercare policy, which for an annual payment provides a comprehensive maintenance and repair scheme.

For further information telephone your local HOOVER Service Office listed overleaf.

Free 5 Years Parts (UK & Eire only)

In the first year Hoover will replace and fit any defective parts free of charge for the part and labour. In Years 2-5 defective parts will be supplied free only if fitted in UK and Eire by Hoover and our standard call out and labour charges paid.

YOUR GUARANTEE

Hoover guarantees all parts of this product for 5 years from the date of purchase. During that time HOOVER engineers will replace or repair all defective parts free of charge, except for parts subject to fair wear and tear such as belts.

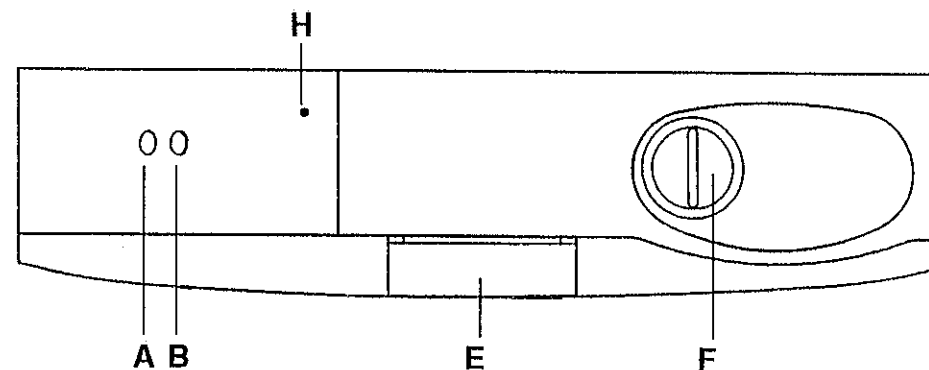
The engineers labour costs are chargeable after the first 12 months.

To qualify for benefits under the guarantee, you must be able to provide proof of date of purchase and the appliance must have been supplied, installed and used in accordance with Hoover instructions. Consequential losses and accidental damage to the product are not covered by the guarantee.

If you have any trouble with your HOOVER product simply telephone your nearest HOOVER Service Office.

This guarantee does not affect your statutory or common law rights.

Hoover cannot be responsible for the results of using this machine for any purposes other than those described in these instructions.



- A On/off button
- B Economy button
- E Door handle

- F Programme selector
- H Mains indicator light

Technical Data

IEC place load
Capacity with pans and dishes
Water supply pressure
Fuse
Power input
Supply voltage

12
8 people
Min. 0,08 - Max 0,8 MPa
(see rating plate)
(see rating plate)
(see rating plate)

Dimensions

		With working top	Without working top
Height	cm.	85	82
Depth	cm.	60	56
Width	cm.	60	59,7
Depth with door open	cm.	120	117

PROGRAMMES SELECTION

Programme	Description
-----------	-------------

1	Cold pre-wash	Short cold pre-wash for breakfast and lunch dishes which can then remain in the dishwasher until after the evening meal.
2	Intensive	Suitable for heavily soiled pans and all other items in daily use.
3	Universal	Suitable for normal/dirty dishes and pans. Programme standardised to I.E.C. 436
4	Daily	Suitable for pans and dishes which are to be washed straight after a meal.
5	Eco 55°C	Suitable for normal soiled daily pans and kitchenware. Using detergents with enzyme. Programme standardised to EN 50242
6	Delicate	Suitable for delicate dishes and glassware. Also for slightly dirty daily dishes, excluding pans.
7	Hot rinsing cycle and warming cycle	Suitable for rinsing dishes which have not been used for some time and for warming dishes prior to serving.

FAULT	CAUSE	REMEDY
8 - Load of dishes is only partially washed	See causes for no. 5	Check
	Bottom of saucepans have not been washed well	Burnt on food remains must be soaked before putting pans in dishwasher
	Edge of saucepans have not been washed well	Reposition saucepans
	Spray arms are partially blocked	Remove spray arms by unscrewing ring nuts clockwise and wash under running water
	The dishes have not been properly loaded	Do not place the dishes too closely together
	The end of the outlet hose is in the water	The end of the outlet hose must not come into contact with the outflow water
	The incorrect amount of detergent has been measured out; the detergent is old and hard	Increase the measure according to how dirty the dishes are and change detergent
	The wash programme is not thorough enough	Choose a more vigorous programme
9 - Presence of white spots on dishes	The lower basket dishes have not been washed	Depress half load button
	Water is too hard	Check salt and rinse aid level and regulate amount. Should the fault persist, Contact Service Centre
10 - Noise during wash	The dishes knock against one another	Load dishes better onto the basket
	The revolving arms knock against the dishes	Load dishes better
11 - The dishes are not completely dry	Inadequate air flow	Leave the dishwasher door ajar at the end of the wash program to allow the dishes to dry naturally

N.B.: Should any of the situations occur and should the machine give a bad washing performance, it is necessary to remove the deposits from the dishes by hand since the final drying cycle hardens the deposits which a second wash in the machine would not be able to remove.

If the malfunction continues contact a Service Centre quoting the serial number of the dishwasher. This is found on the plaque on the inside of the dishwasher door at the top or on the guarantee. This information will make it possible to take more effective action more quickly.

The manufacturers decline any responsibility for any printing mistakes in this instruction booklet. They also reserve the right to modify their own appliances as necessary without altering the essential characteristics.

Identifying minor faults

Warning!

Before removing any panel: 1. Turn the knob to STOP.
2. Pull the electric plug out.

Should the dishwasher fail to operate, before contacting the Service Centre, make the following checks:

FAULT	CAUSE	REMEDY
1 - Machine completely dead	Plug is not connected to wall socket	Connect electric plug
	O/I button has not been pressed	Press button
	Door is open	Close door
	No electricity	Check the fuse in the plug and the electricity supply
2 - Machine does not draw water	See causes for no. 1	Check
	Water tap is turned off	Turn water tap on
	Programme selector is not at correct position	Turn programme selector to correct position
	The inlet hose is bent	Eliminate the bends in the hose
3 - Machine does not discharge water	The inlet hose filter is not correctly connected	Clean the filter at the end of the hose
	Filter is dirty	Clean filter
	Outlet hose is kinked	Straighten outlet hose
	The outlet hose extension is not correctly connected	Follow the instructions for connecting the outlet hose carefully
4 - Machine discharges water continuously	The outlet connection on the wall is pointing downwards not upwards	Call a qualified technician
	Position of outlet hose is too low	Lift outlet hose to at least 40 cm. above floor level
5 - Spray arms are not heard to rotate	Excessive amount of detergent	Reduce amount of detergent Use suitable detergent
	Item prevents arms from rotating	Check
	Plate and cup filter very dirty	Clean plate and cup filter
6 - On electronic appliances without a display: "eco" indicator light and indicator light "No.1" with audible signal.	Water inlet tap turned off	Switch off the appliance. Turn on the tap. Re-set the cycle.
7 - On electronic appliances with a display: "E1" appears on the display with audible signal.	Water inlet tap turned off	Switch off the appliance. Turn on the tap. Re-set the cycle.

	What to do					Programme cycle					Average duration in minutes	Special function in operation
	Detergent for soaking	Detergent for washing	Clean filter	Check rinse aid dispenser	Check salt container	Hot pre-wash	Cold pre-wash	Main wash	Intermediate rinse	Hot rinse with rinse aid	With cold water (15°C)	Economy button

			●				○				5	
	●	●	●	●	●	○		65°C	○	○	105	YES
	●	●	●	●	●		○	65°C	○	○	100	YES
		●	●	●	●			65°C	○	○	85	YES
		●	●	●	●			55°C	○	○	80	YES
		●	●	●	●			55°C	○	○	70	YES
			●	●				68°C	○	○	40	



Attention

This dishwasher is equipped with an anti-overflow safety device which works even when power is switched off and closes off the water flow if, due to a possible malfunction, it exceeds the normal level.


Important

To prevent the accidental release of the anti-overflow safety device, it is recommended not to move or to tilt the dishwasher during operation.

If it is necessary to move or to tilt the dishwasher, first make sure the washing cycle is finished and that no water is left in the tank.


Selecting the programme and special functions


To set the programme, turn the dial clockwise until the pointer indicates the symbol of the required programme.

Then press the On/Off button . Ensure that the water supply is turned on and the door is closed properly.





Economy button

The  button reduces the final heating of the water during the last rinse. This activates a natural drying process, as with a normal draining board, simply by leaving the door ajar at the end of the cycle to enable the natural circulation of the water.

The  button permits an energy saving of more than 20% and shortens the cycle. Recommended for evening washes when the dishes are not required perfectly dry, immediately, straight after washing.

The cycle ends

When the program handle reaches the  symbol, the cycle ends.

Push the On-Off  button to cut power to the dishwasher and then only open the door.

Cleaning and maintenance

The outside of the cabinet can be cleaned with a non-abrasive cleaning agent suitable for a gloss finish.

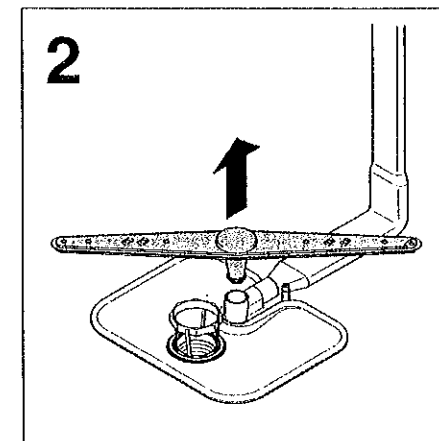
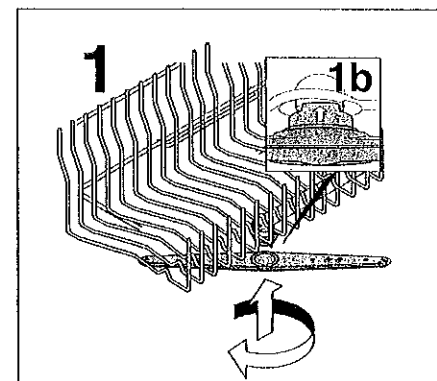
The dishwasher does not require special maintenance, because the tank is self-cleaning. Regularly wipe the door gasket with a damp cloth to remove any food remains or rinse aid. It is advisable to remove limestone deposits or dirt periodically, by doing an empty wash; pour a glass of vinegar on the bottom of the tank and select the light wash.

If, in spite of the routine cleaning of the filters, you notice that the dishes or pans are not properly washed or rinsed, check that all the spray heads on the rotor arms (fig. A "5") are clear.

If they are blocked, clean them in the following way:

To remove the upper rotor arm, turn it until it lines up with the stop marked by the arrow (fig.1b). Push it upwards and, keeping it pushed in, unscrew it in a clockwise direction. **To reassemble it repeat the same operation, but turn it anticlockwise.** The lower rotor arm can be removed simply by pulling it upwards (fig. 2).

- wash the rotor arms under a jet of water to clear any blockage in the spray heads.
- When you have finished, refit the rotor arms in the same position, remembering to locate the upper one on the stop and to screw it fully home.



The water heater element is made of a special stainless steel which after a while may change colour; this does not in any way affect its performance or its working life.

Both the door lining and the tank lining are in stainless steel; however, should spots caused by oxidation occur, this is probably due to a high level of iron salts presents in the water. The spots can be removed with a mild abrasive agent; never use chlorine based materials, steel wool, etc.

WHEN CYCLE IS FINISHED

After every wash it is essential to turn off water supply and to switch off the machine by pressing the On/Off button to the off position. If the machine is not going to be used for some time, it is advisable to follow these rules:

1. do an empty wash with detergent in order to clean the machine of any deposits.
2. pull out the electric plug.
3. turn off the water tap.
4. fill the rinse aid container.
5. leave the door ajar.
6. Keep the inside of the machine clean.
7. If the machine is left in places where the temperature is below 0°C any water left inside the pipes may freeze. Wait until the temperature rises above zero and then wait for about 24 hours before starting up the dishwasher.

To achieve excellent results every time, the filters should be checked and cleaned after each wash.

To remove the filter unit, simply turn the handle anticlockwise (fig. 18).

For ease of cleaning, the central container is removable (fig. 19).

Remove the gauze filter (fig.20) and wash the whole unit under a jet of water. If necessary a small brush can be used.

With the **Self-cleaning Micro filter**, maintenance is reduced and the filter unit need only be checked every two weeks. Nevertheless, after each wash it is advisable to check that the central container and the gauze filter are not clogged.

NB: after cleaning the filters, make sure that they are correctly reassembled and that the gauze filter is properly seated in the bottom of the dishwasher.

Make sure that the filter is screwed back, clockwise, into the gauze, as poor seating of the filter unit could have an adverse effect on the efficiency of the appliance.

Warning: never use the dishwasher without the filters.

General hints

Selecting the programme

This dishwasher offers you a wide range of wash programmes so that you can choose the most suitable according to the type of dishes and how dirty they are.

Refer to the PROGRAMME LIST to choose the most suitable programme.

Useful hints

In order to avoid any dripping from the top rack, remove the lower rack first.

If the dishes are to be left in the machine for some time, leave the door ajar, to let some air circulate and to improve the drying performance.

How to make SAVINGS

1) If you want the dishwasher to give a complete wash, place the dishes in the dishwasher at the end of each meal and if necessary turn on the COLD PRE-WASH cycle to soften the food remains and remove bigger particles of food from the new load of dishes. When the dishwasher is full start the complete wash cycle programme.

2) If the dishes are not very dirty or if the baskets are not very full select the ECONOMY programme, following the instructions in the program list.

How to get really good wash RESULTS

1) Place the dishes face downwards.

2) Try to place the dishes in such a way that they are not touching one another. If they are loaded properly you will get better results.

3) Before placing the dishes in the dishwasher remove any remaining food (bones, shells, pieces of meat or vegetables, coffee grounds, skin of fruit, cigarette ash etc. that could clog up the outflow and the washing arm jets.

4) After loading the dishes check that the washing arms can rotate freely.

5) Pans and other dishes that have particularly persistent food particles or remnants of burnt food should be left to soak in water with dishwasher detergent.

6) To wash silver properly:

a) rinse the silver immediately after use, especially if it has been used for mayonnaise, eggs, fish etc.

b) do not sprinkle detergent onto it

c) keep it separate from other metals

What to DO if

1) You want to stop the dishwasher to put in more dishes whilst it is in the middle of a wash. Open the door only after pressing the O/I button so that the dishwasher is in OFF.

After closing the door, wait 3 minutes before starting up the machine again.

What not to wash if

It should also be remembered that not all dishes are suitable for washing in a dishwasher. We advise against using the dishwasher to wash items in thermoplastic, cutlery with wooden or plastic handles, saucepans with wooden handles, items in aluminium, crystal, leaded glass unless otherwise stated.

Certain decorations may fade. It is therefore a good idea before loading the whole batch to wash just one of the items first so as to be sure that others like it will not fade.

It is also a good idea not to put silver cutlery with non-stainless steel handles into the dishwasher as there could be a chemical reaction between them.

IMPORTANT

When buying new crockery or cutlery always make sure that they are suitable for washing in a dishwasher.

Safety Instructions

Please read the instructions in this booklet carefully because they contain important information on how to install, use and maintain your dishwasher safely as well as containing useful tips on how to make the most of it. Keep this booklet safe for future reference.

There are certain basic safety rules which are valid for any domestic appliance. They are the following:

- never touch the appliance when your hands or feet are wet or damp
- do not use it when your feet are bare
- do not remove the plug from the mains supply socket by pulling the mains cable or the machine itself
- do not leave the appliance exposed to the elements (rain, sun etc)
- do not let children (or others incapable of operating it) use the machine without supervision
- make sure that the plug fitted to the machine is compatible with the power supply socket. If it is not, get a suitably qualified person to fit the correct type, and to make sure that the cables to the mains socket are able to cope with the power rating of the appliance
- ensure that the dishwasher does not crush power cables
- if there is a water softening device installed in the home there is no need to add salt to the water softener fitted in the dishwasher
- the dishwasher is designed for normal kitchen utensils. Objects that have been contaminated by petrol, paint, traces of steel or iron, corrosive chemicals, acids or alkalis must not be washed in the dishwasher.

- if you wish to dispose of an old dishwasher be careful to remove the door to eliminate the risk of children becoming trapped inside it
- the dishwasher has been made from materials which can be recycled so that it can be disposed of in an environmentally friendly way.
- in general it is not advisable to use adaptors, multiple plugs and/or extension cables.
- Water left in the machine or on the dishes at the end of the wash programme should not be swallowed.
- Leaning or sitting on the open door of the dishwasher could cause it to tip over.
- Cutlery is washed best if it is placed in the basket with the handles downwards; however, to avoid any injury from blades or sharp points, it can be placed with the handles upwards.
- Should it be necessary to replace the supply cord, call the Service Department.
- This appliance is designed for domestic use only.

If the appliance breaks down or stops working properly, switch it off, turn off the water supply and do not tamper with it. Repair work should only be carried out by an approved service agent and only genuine spare parts should be fitted. Any failure to follow the above advice may have serious consequences for the safety of the appliance.

INSTALLATION (Technical notes)


After unpacking, adjust the height of the dishwasher.

For the dishwasher to work correctly it must be level. Adjust the feet so that the machine does not tilt by more than 2 degrees. If it you need to move the machine after removing the packaging, do not try to lift it by the bottom of the door.

Open the door slightly and lift the machine by holding on the top (Fig. 8).

Important: when the appliance is located on a carpet floor, attention must be paid to ensure that there is no obstruction to the bottom vents.

Make sure that the plug on the appliance remains accessible after installation.

 This appliance complies with Directives 89/336/EEC, 73/23/EEC and following changes.

For U.K. only (240 V)

Plug it in

Plug the appliance into the power socket.

If the plug we supply does not fit

- CUT IT OFF AND DESTROY IT!

You can't use it on other appliances, and the exposed wires could be dangerous if anyone plugged it in.

- Fit a suitable plug, as follows:

Connect	to the terminal in the plug
green and yellow wire	marked with the letter E, OR marked with the Earth symbol, OR coloured green, OR coloured green and yellow.
blue wire	marked N OR coloured black.
brown wire	marked L OR coloured red.

"WARNING"

THIS APPLIANCE MUST BE EARTHED

Fuses and plugs

This appliance should be used only on a socket with a minimum rating of 13 Amp.

Our ready-fitted plug is already equipped with a 13 amp fuse which is BS 1362 ASTA approved.

Any replacement should be exactly the same.

If the fuse cover is lost, do not use the plug until it is replaced. A correct replacement fuse cover (obtainable from your dealer or Electricity Board) must be the same colour as shown or named on the insert on the base of the plug.

Loading the detergent and the rinse aid.

Filling the detergent container

It is essential to use a specific dishwasher detergent either in powder, liquid or tablet form.

Unsuitable detergents (like those for washing up by hand) do not contain the proper ingredients for use in a dishwasher and stop the dishwasher from working correctly.

Normal wash

The detergent container is inside the door (fig. A "2"). If the lid of the container is closed press the button to open. At the end of every wash cycle the lid is always open and ready for the next time the dishwasher is used.

The amount of detergent to be used varies according to how dirty the dishes are and on the type of dishes to be washed. We advise using 20-30 gr. of detergent in the wash section of detergent compartment 1 (Fig.9).

After pouring the detergent into the container close the lid.

Since not all detergents are the same the instructions on the boxes of detergent can vary. We should just like to remind users that too little detergent does not clean the dishes properly whilst too much detergent will not produce better results and is also a waste. Do not use an excessive amount of detergent and help to limit damage to the environment at the same time.

Wash with soaking cycle

If setting the intensive wash programme, a second dose of about 20 gr. of detergent (1 table-spoon) must be added to the machine in the prewash section of detergent compartment 2 (Fig.10).

For **universal programme** add 5 gr. This dose should be placed directly in the prewash section of detergent compartment 2.

Filling the rinse aid container

The rinse aid container can be found on the right of the detergent container: it has a capacity of about 130 ml. (Fig A "3"). Turn the cap (B) anticlockwise and pour enough liquid will last several washes, up to the maximum level shown (Fig.11). Replace the cap.

The rinse aid, which is automatically released during the last rinsing cycle, helps the dishes to dry quickly and prevents the formation of spots and stains.

It is always advisable to use rinse aid.

It is possible to check the rinse aid level through the indicator eye which is situated in the centre of the dispenser (A).

Regulating the rinse aid from 1 to 6

The regulator is placed under the cap (B) and can be turned using a coin. The recommended position is 3 (Fig.12).

The limestone content of the water considerably affects the formation of limescale and the drying performance.

It is therefore important to regulate the quantity of rinse aid to achieve good washing results.

If, after the wash, streaks occur on the dishes, decrease the amount by one position.

If whitish spots occur, increase the amount by one position.

FULL



dark

EMPTY



light

Cleaning the filters

The filter system (fig.A "4") consists of: a central **container** that traps the larger particles.

a **flat gauze** that continuously filters the wash water

a micro filter, located beneath the gauze, that traps the tiniest particles ensuring a perfect rinse.

A standard daily load is represented in Figs. 1, 2 and 3.

Upper basket (Fig. 13)

- A = soup plates
- B = dinner plates
- C = dessert plates
- D = saucers
- E = cups
- F = glasses

Upper basket (Fig. 14)

- A = soup plates
- B = dinner plates
- C = dessert plates
- D = saucers
- E = cups
- F = glasses with stems
- G = glasses
- H = single section cutlery basket

Lower basket (Fig. 15)

- A = medium-sized saucepan
- B = large saucepan
- C = frying pan
- D = lids
- E = tureens, serving dishes
- F = cutlery
- G = oven dishes

The correct and rational loading of dishes is essential for good washing results.

12 international place load (Ref. I.E.C. 436 - EN 50242).

Correct loading for the upper basket is indicated in Fig. 16 and for the lower basket in Fig. 17. Fig. 24 cutlery basket.

Upper basket (Fig. 16)

- A = 6 + 6 glasses
- B = 12 saucers
- C = 4 + 4 + 4 cups
- D = small bowl
- E = medium bowl
- F = large bowl

Lower basket (Fig. 17)

- G = 8 + 4 soup plates
- H = 11 + 1 dinner plates
- I = 12 dessert plates
- L = serving dish
- M = cutlery

Cutlery basket (fig. 24)

Place the side racks in the lower position and fill with 6 tea spoons (A) and 6 dessert spoons (B); in the spaces left insert cutlery with the handles down.

Removable section (fig. 25)

Lower basket has a removable section in the front, for easier loading of salad bowls, saucepans and lids.

Cutlery basket (fig. 26)

The cutlery basket is made with two detachable parts which will enable various loading options (see fig. 14 standard load). The two parts can be detached by sliding the left section away from the right section.

Information for the test laboratories.

General programme comparison

(see programmes selection)

Ref. IEC 436 Standards:

- 1) Upper basket position: low
- 2) Normal load
- 3) Shine setting: 3
- 4) Amount of detergent:
 - 5 gr. for pre-wash
 - 25 gr. for wash.

Ref. EN 50242 Standards:

- 1) Upper basket position: low
- 2) Normal load
- 3) Shine setting: 3
- 4) Amount of detergent:
 - 30 gr. for wash.

Water connection

The inlet and drain hoses can be directed to left or right.

The dishwasher can be connected to either cold or hot water, as long as it is no hotter than 60 °C.

Water pressure must be between 0,08 MPa and 0,8 MPa. If the pressure is below the minimum consult our service department for advice.

The inlet hose must be connected to a tap so that the water supply can be cut off when the machine is not in use (fig.1 B).

The dishwasher is fitted with 3/4" threaded connector (fig. 2).

Connect inlet hose A to water tap B with a 3/4" attachment making sure that it has been properly tightened.

If it is necessary to lengthen the inlet pipe, an extension pipe can be fitted.

If limescale deposits or sand are present in the water, it is advisable to obtain the appropriate filter, art. 9226085, from the Service Centre (fig. 3).

The filter D must be inserted between the tap B and the inlet hose A, remembering to fit the washer C.

If the dishwasher is connected to new pipes or to pipes which have not been in use for a long time run water through for a few minutes before connecting the inlet hose. In this way no deposits of sand or rust will clog up the water inflow filter.

Connecting the outlet hose

The outlet hose should discharge into a standpipe, making sure that there are no kinks (fig. 4). The standpipe must not be less than 40 cm. above floor level and it must have an internal diameter of at least 4 cm. It is advisable to fit an anti-odour air trap (fig. 4 x).

If necessary the outlet hose can be extended up to 2,6 m, provided that it is kept at a maximum height of 85 cm. above floor level.

The hose can be hooked over the side of the sink (it must not be immersed in water, in order to prevent water from being syphoned back to the machine when this is in operation) (fig. 4 y). When installing the appliance under a worktop the hose pipe clamp must be attached to the wall in the highest possible position under the worktop (fig. 4 z).

Check that there are no kinks in the inlet and outlet hoses.

Installation in fitted kitchens

Fitting between existing cabinets

The height of the dishwasher, 85 cm., has been designed in order to allow the machine to be fitted between existing cabinets of the same height in modern fitted kitchens. The feet can be adjusted so that correct height is reached.

The laminated top of the machine does not require any particular care since it is heat-proof, scratchproof and stainproof (fig. 5).

The working top can be easily adjusted to line it with the top of existing cabinets; this is done by moving it by 5 mm. each time up to a maximum of 25 mm.

To adjust it, unscrew the two screws at the back and fix the top in the position required (fig. 6).

Underneath existing working top (when fitting beneath a work top)

In most modern fitted kitchens there is only one single working top under which cabinets and electrical appliances are fitted.

In this case remove the working top of the dishwasher by unscrewing the screws under the rear edge of the top (fig. 6).

The height will then be reduced to 82 cm., as scheduled by the International Regulations (ISO) and the dishwasher will fit perfectly under the kitchen working top (fig. 7).

Fitting panels

The frames around the door, allow decorative panels to be fitted, up to 5 mm. thick, and with the following dimensions:

width 591 mm. ± 1
height 591 mm. ± 1

Opening the door

Put your hand into the recess and push upwards. If the machine comes open while it is working, an electrical safety device automatically switches everything off.

For the machine to work properly, the door should not be opened while it is in operation.

Closing the door

Place the baskets in the machine. Make sure that both the spray arms are free to rotate and are not obstructed by cutlery, crockery or pans. Close the door, pressing on it to make sure it is firmly shut.

Water softener unit

Depending on to the source of the supply, water contains varying amounts of limestone and minerals which are deposited on the dishes leaving whitish stains and marks. The higher the level of these minerals present in the water, the harder the water is. The dishwasher is fitted with a water softener unit which, through the use of special regenerating salt, supplies softened water for washing the dishes. The softener unit can treat water with a hardness of up to 60°fH (French grading) or 33°dH (German grading) through five different settings. The degree of hardness of your water can be obtained from your water supply company.

Regulating the water softener

In the table below are listed different degrees of water hardness with the corresponding setting for the softener unit.

Level	Water hardness	Water hardness	Use of regenerating salt	Water softener setting	N° of washes
	°fH (french)	°dH (German)			
0	0-9	0-5	NO	FREE	
1	10-30	6-16	YES	position N.1	50
*2	31-40	17-22	YES	position N.2	40
3	41-50	23-27	YES	position N.3	30
4	51-60	28-33	YES	position N.4	20

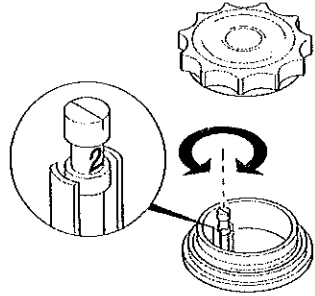
- The water softener unit is set in the factory at level 2, as this is suitable for the majority of users.

If your water is at level 0, you need not use any regenerating salt, nor need you make any adjustment, as your water is soft.

According to the degree of hardness of your water, regulate the softener unit in the following way:

- remove the lower rack. Unscrew and remove the cap from the salt dispenser located in the bottom of the tub (Fig. A "1");

- Turn the selector screw to the required position with a screwdriver or a knife.



Loading the salt

The dishwasher is fitted with a softener which clears the water of lime which could cause scale and damage the dishwasher.

On the bottom of the machine there is a container for the salt for regenerating the softener. The filter medium of the softening plant must be reactivated with dishwasher water softener regenerating salt.

Other types of salt contain small quantities of insoluble particles which over a long period of time may affect and deteriorate the softener performance.

In order to introduce the salt, unscrew the cap of the container, on the bottom and then refill the container (fig. 21).

During this operation a little water will overflow; continue in any case to introduce the salt until the container is filled. When the container is filled, clean the thread of salt residue and retighten the tap.

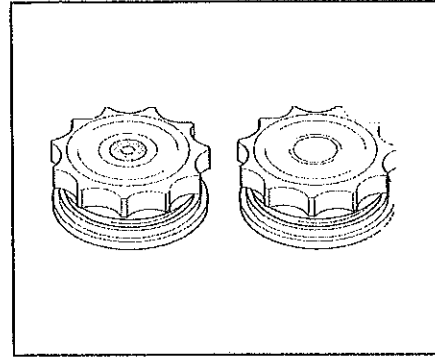
If it is not necessary to carry out washing immediately, insert programme Prewash so that the salt solution which has overflowed is discharged from the washing tank.

The salt dispenser has a capacity of between 1.5 and 1.8 kg and, for efficient use of the appliance, it should be refilled from time to time according to the regulation of the water softener unit.

Salt loading indicator

This model is provided with a blind cap. In this case, the salt level must be checked periodically, according to the regulation of the water softener unit.

Important: the appearance of white stains on dishes is generally an important sign that the salt container needs filling.



Adjustment of the upper basket

If 27 cm to 31 cm plates are normally used, load them onto the lower basket after the upper basket has been placed in its upper position and proceed as detailed below:

- 1) Turn the front stops A outwards (fig. 22).
- 2) Take out the basket and remount it in the upper position.
- 3) Replace the blocks A in their original position (fig. 23).

Dishes that are bigger than 20 cm in diameter can no longer be loaded onto the upper basket and the mobile supports cannot be used when the basket is in the upper position.

Loading dishes

To load dishes

For good washing results it is important to remove any remains from the dishes (bones, tooth picks, the remains of meat and vegetables) to avoid blocking the filters, water outlet and washing arm nozzles and, as a result, reduce washing efficiency.

Try not to rinse the dishes before loading them into the dishwasher.

If saucepans and oven dishes are particularly encrusted with the remains of burnt or roast food, it is advisable to leave them to soak before washing.

Using the upper basket

The upper basket is provided with mobile racks hooked to the sides of the basket which can be regulated in two positions: upright and lowered. In the lowered position the racks may be used for tea and coffee cups, kitchen knives and ladles. Glasses with stems may be safely hung on the ends of the racks.

Glasses, cups, saucers and dessert plates may be loaded under the racks.

Soup plates and ordinary plates may be loaded with the rack in the upright position.

Plates should be loaded vertically with the underside of the plate towards the back of the dishwasher with a space between each plate to allow water to pass freely.

It is advisable to load plates of the same size together in order to utilize maximum basket capacity.

Plates may be loaded in a single row (Fig. 13) or on both rows (Fig. 14).

It is advisable to load large plates (approx. 27 or more cm.) slightly tilted towards the rear to facilitate introduction of the basket into the machine.

Salad bowls and other plastic bowls may also be loaded on the upper basket. It is advisable to block these in place so that the jets of water do not make them overturn.

The upper basket has been designed to offer maximum flexibility in use and can be loaded with up to 24 plates on two rows, up to 30 glasses on five rows or a mixed load.

Using the lower basket

Saucepans, oven dishes, tureens, salad bowls, lids, serving dishes, dinner plates, soup plates and ladles can be loaded on the lower basket.

Place the cutlery in the plastic cutlery holder with the handles pointing upwards.

Place the cutlery holder on the lower basket (fig. 15), making sure that the cutlery does not get in the way of the rotating arms.