

prima

Candy Floss Maker

**NOW
WITH PARTY
PACK!**



Instruction Leaflet

MODEL PCF002

Visit our website at www.prima-international.com

IMPORTANT SAFEGUARDS

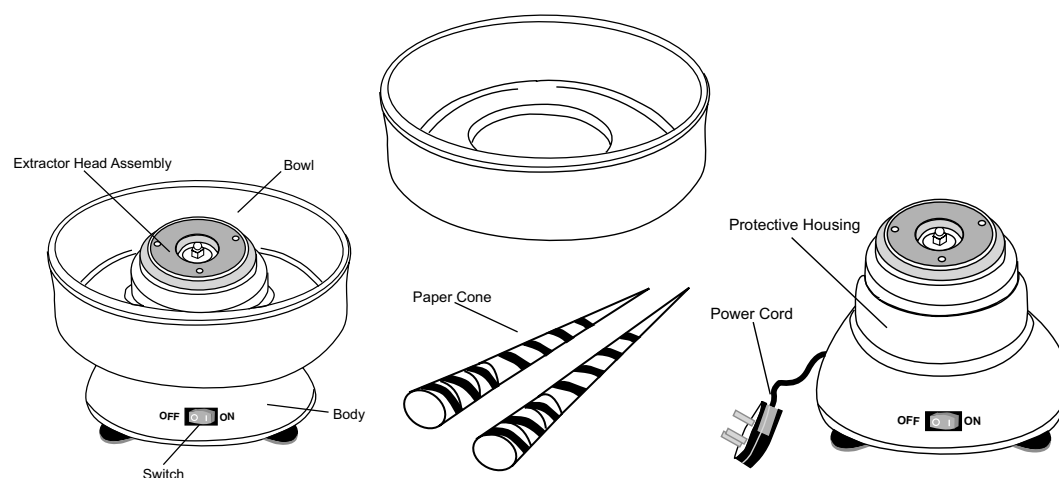
READ ALL INSTRUCTIONS BEFORE USING COTTON CANDY MAKER

When using electrical appliances, basic safety precautions should always be followed including the following:

1. Read all instructions.
2. Do not touch hot surfaces.
3. To protect against fire, electric shock and personal injury, do not immerse cord, plug or cotton candy maker in water or other liquid.
4. Close supervision is necessary when any appliance is used by or near children.
5. Unplug from outlet when not in use and before cleaning. Allow to cool before putting on or taking off bowl and extractor head assembly.
6. Do not operate any appliance with a damaged cord or plug or after the appliance malfunctions, or has been damaged in any manner.
7. Do not use outdoors.
8. Do not let cord hang over edge of table or counter, or touch hot surface.
9. Do not place on or near a hot gas or electric burner, or in a heated oven.
10. Extreme caution must be used when moving an appliance containing hot liquids.
11. Always attach plug to appliance first, then plug cord into the wall outlet. To disconnect, turn all controls to "off" then remove plug from wall outlet.
12. Do not use appliance for other than intended use as described in this manual.
13. If the supply cord is damaged, it must be replaced by the manufacturer or its service agent or a similarly qualified person in order to avoid a hazard.

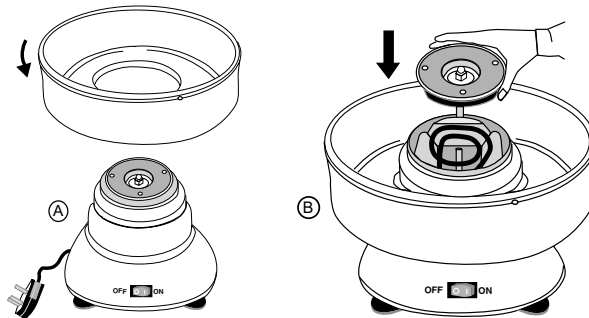
THIS APPLIANCE HAS HOT MOVING PARTS, PLEASE BE EXTRA VIGILANT WHEN USING AROUND CHILDREN.

COMPONENTS



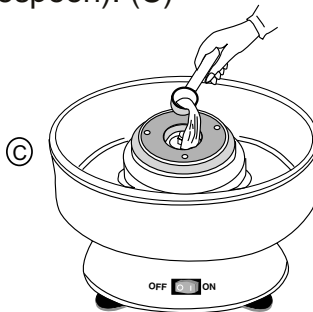
PREPARING TO USE

1. Take the cotton candy maker out of the cardboard case and remove all packing materials.
2. Wash extractor head assembly and bowl in warm water.
3. Align hooks of the body with the openings of the bowl. Turn bowl anti clockwise to lock bowl to the body. (A)
4. Install the extractor head assembly. Be sure to push the extractor head downward firmly to seat properly. Improper seating of the extractor head assembly may result in failure to produce cotton candy or will result in excessive vibration. (B)
5. Operate the unit on a flat level surface.
6. Plug the power cord into a suitable 220-240V AC outlet.



HOW TO USE

1. Switch on the unit for 5-8 minutes, allow it to warm up then switch off.
2. Place two scoops of pure granulated sugar into the center of the extractor head to be spread evenly (please use the scoop supplied with the unit, or you may use one level tablespoon). (C)



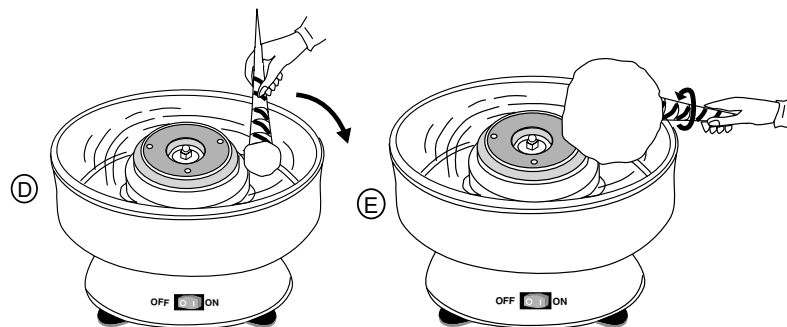
NOTE

- Do not put more than two measures of sugar. Excessive sugar causes noise and vibration.
- **USE ONLY PURE GRANULATED SUGAR FOR THIS COTTON CANDY MAKER.**
- Use of other sugar may fail to produce cotton candy.
- Do not use sugar mixed with other materials such as coffee or dry milk. It will cause a blockage of the extractor head.
- Never use materials other than pure granulated sugar, such as salt.

3. Switch control to ON. Extractor head rotates and is heated by the heater element.
4. Cotton candy comes out about 4 or 5 minutes after turning unit on. Wind cotton candy on the paper cone (packed with unit) as follows: With the paper cone in vertical position, turn the paper cone along the inside of the bowl several times. Then lay the paper cone horizontally and rotate it above the extractor head to wind cotton candy. (D)(E)
5. After cotton candy is made, switch unit off.
6. To make more cotton candy, repeat the above sequence. After the initial process of making your first lot of candy floss, the repeated process time will only be about 3-4 minutes.

NOTE:

Sugar should only be put in after the extractor head stops completely.



CAUTION

- Do not put sugar in the extractor head when the switch is turned ON.
- Make sure to switch off after cotton candy has been made. When the cotton candy maker is used with sugar remaining from prior use in the extractor head, there may be an imbalance of the extractor head. This may cause noise or vibration of the unit, with resulting damage to the unit.
- The extractor head rotates under high temperature and high speed. reduce the risk of injury, never touch with hands, spoons or other things.
- The temperature of the extractor head is still high for a short period (approximately 15 minutes) after the extractor head has stopped. Keep hands off to reduce the risk of burn.
- After turning unit off, wait for extractor head to stop. Do not stop with paper cone or spoon. It may cause injury or damage to the unit.
- Be sure the bowl is attached when in use.
- Do not use on a carpet.
- Do not put hands in bowl while operating.
- Do not place your face too close to the bowl while operating.
- Use the cotton candy maker within the room temperature range of 50 degrees F – 95 degrees F (10C - 35C). Cotton candy may not be produced with the room temperature beyond the range.
- Do not use the cotton candy maker in a place where wind from a fan or air conditioner hits directly on the maker, since cotton candy will not be wound well.
- Do not use in a room containing valuable pictures or a chandelier, since the cotton candy may be blown up.
- When carrying the cotton candy maker, always hold the body not the bowl.

- Do not switch “ON” the cotton candy maker without the extractor head in place.

MAINTENANCE

1. Switch off and disconnect the power cord when not in use.
2. Clean the bowl and extractor head according to “HOW TO CLEAN”.
3. Use a soft cloth to clean the body and protective housing. Do not brush, since any kind of brush is likely to scratch the surface of these parts.
4. Install the bowl and extractor head as it was originally.

CAUTION

- Do not clean any part of the cotton candy maker with gasoline, kerosene, glass or furniture polish or paint thinner.
- Do not spray any water on the body. There is a risk of electrical shock and damage to the unit’s electrical components.
- Do not unplug the unit if your hands are wet. Electrical shock could occur.

HOW TO CLEAN

CLEANING THE BOWL

1. Turn the bowl clockwise to detach from the body.
2. Wash the bowl with cold or warm water. Use a soft cloth to wash. A scrubbing brush will scratch the surface of the bowl. Dry the surface completely.

CLEANING THE EXTRACTOR HEAD ASSEMBLY

CAUTION: The extractor head assembly is still hot for about 15 minutes after turning off. Remove the extractor head after it becomes cool to avoid the risk of burn.

1. Wash the extractor head assembly with hot warm water. Soak it in water before washing to make it easier to clean. Use soft cloth to clean. A scrubbing brush will scratch the surface.
2. Dry the extractor head assembly completely.

NOTE: Be careful in handling the extractor head. Do not drop or bend it. Sugar deposits can be loosened quickly by immersing the extractor head assembly in very hot water.

MAKING COLOURED CANDY FLOSS

ONLY USE APPROVED POWDERED FOOD COLOURING IN THE CANDY FLOSS MAKER.

1. Put 1 measure of sugar into a small cup.
2. Using the other end of the measuring spoon, add a small amount of the food colouring to the sugar.
3. Gently shake the cup to mix the sugar and colouring.
4. Pour into the extractor head as normal as per instructions.

**Suitable Edible Food Dust is available in a variety of colours including Pink, Blue, Red, Green, and Yellow from Squires Kitchen Sugarcraft, Farnham, Surrey, UK
Order online at www.squires-shop.com or by phone on 00 44 (0)1252 727572.**

U.K. PLUG WIRING INSTRUCTIONS

The wires in the mains lead are coloured in accordance with the following code:

BROWN	-	LIVE (L)
BLUE	-	NEUTRAL (N)
GREEN/YELLOW	-	EARTH (E)

As the colours of the wires in the mains lead of this appliance may not correspond with the coloured markings identifying the terminals in your plug, proceed as follows:

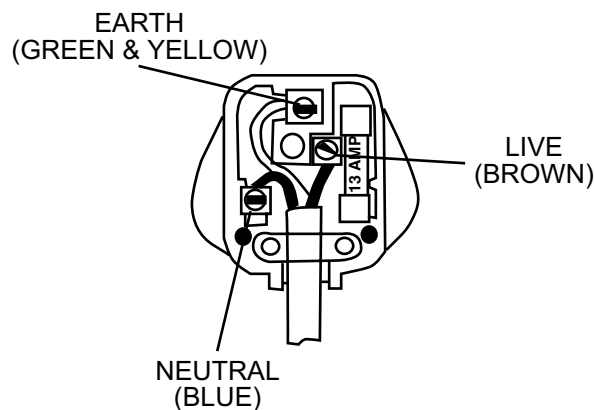
- The BLUE wire is the NEUTRAL and must be connected to the terminal which is marked with the letter N or coloured BLACK
- The BROWN wire is the LIVE and must be connected to the terminal which is marked with the letter L or coloured RED.
- The wire which is coloured GREEN/YELLOW must be connected to the terminal which is marked E or coloured GREEN or GREEN/YELLOW.

Always ensure that the cord grip is positioned and securely fastened.

WARNING: THIS APPLIANCE MUST BE EARTHED.

If a 13A (BS1363) fused plug is used it must be fitted with a 13A fuse. If in doubt consult a qualified electrician.

WIRING FOR A 13AMP PLUG



~~~~~ Warranty ~~~~~

This product is guaranteed for 12 months from the date of purchase when the appliance is used solely for domestic purposes. For commercial use the product is guaranteed for 90 days from the date of purchase.

The guarantee is valid against mechanical or electrical defects if the product is used in accordance with the instructions and provided that it is not connected to an unsuitable electricity supply or dismantled, interfered with or damaged in any way.

IMPORTANT, PLEASE RETAIN THIS WARRANTY

Please ask your retailer to either stamp this warranty or simply attach your store receipt. Keep this warranty somewhere safe. DO NOT SEND TO PRIMA.

This guarantee in no way affects your rights under statutory law.

IF THE PRODUCT MALFUNCTIONS DURING ITS WARRANTY PERIOD IT MUST BE RETURNED TO THE RETAILER FROM WHOM IT WAS PURCHASED FOR REPLACEMENT. IF YOU BOUGHT THIS PRODUCT VIA MAIL ORDER, PLEASE KEEP ALL THE DOCUMENTATION THAT CAME WHEN THE UNIT WAS DELIVERED.

NAME _____

ADDRESS _____

PURCHASED FROM _____

DATE OF PURCHASE _____ **MODEL** _____

**Prima International Plc, Prima House, Premier Park, Oulton, LEEDS LS26 8ZA
United Kingdom**

© Copyright 2002 Prima International PLC. All rights reserved.